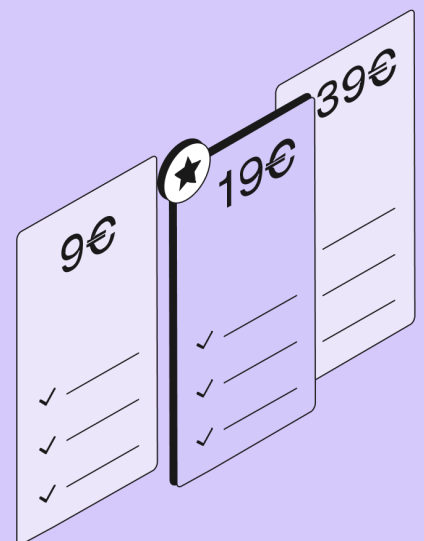


Qonto

Pricing and Fees

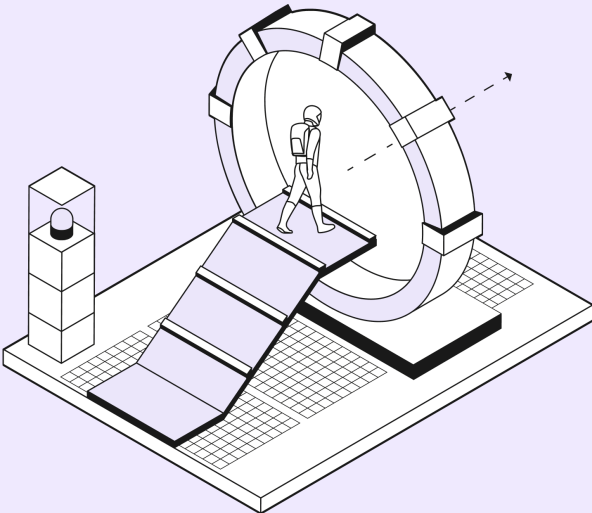
Payment Account and Payment Services

Version update (Austria): 27 December 2024



Solo Plans

(Offers for Freelancers and Sole Proprietors)



	Basic	Smart	Premium
Business Account & Payment Services			
Annual fee <i>(Monthly equivalent)</i>	€9 / month <i>(excl. VAT)</i>	€19 / month <i>(excl. VAT)</i>	€39 / month <i>(excl. VAT)</i>
Monthly fee	€11 / month <i>(excl. VAT)</i>	€23 / month <i>(excl. VAT)</i>	€45 / month <i>(excl. VAT)</i>
Accounts <i>Create sub-accounts, each with their own local IBAN, to separate your budgets, taxes, and activities.</i>	1 account	1 account & 1 sub-account	1 account & 4 sub-accounts
Physical cards (One) <i>Customize your business cards in real time: One Card (included in your plan), Plus Card or Metal X Card.</i>	1 card	1 card	1 card
Virtual cards <i>Make online payments with virtual cards.</i>	0 €2/month per card	50/month €1/month per additional card	50/month €1/month per additional card
SEPA transfers ¹ & direct debits (IN - OUT) <i>Manage transfers & direct debits in the Qonto app. Transactions beyond those included in the plans will be billed.</i>	30/month €0.40 per additional transaction	60/month €0.40 per additional transaction	100/month €0.10 per additional transaction
Bulk transfers (XML) <i>Combine volume transfers to make more payments at once.</i>	✓	✓	✓
SWIFT transfers (IN) ² <i>Receive international payments directly into your Qonto account.</i>	€5 / transfer received <i>(excl. VAT)</i>	€5 / transfer received <i>(excl. VAT)</i>	€5 / transfer received <i>(excl. VAT)</i>
SWIFT transfers (IN) ³ <i>Receive international payments directly into your Qonto account.</i>	€5 / transfer received <i>(excl. VAT)</i>	€5 / transfer received <i>(excl. VAT)</i>	€5 / transfer received <i>(excl. VAT)</i>
International transfers (OUT) <i>Make international payments directly from your Qonto app in Standard currencies: USD⁴ - GBP - CHF -EUR⁵</i>	0.8% / transfer <i>(min. €5 excl. VAT)</i>	0.8% / transfer <i>(min. €5 excl. VAT)</i>	0.56% / transfer <i>(min. €5 excl. VAT)</i>

¹ Applies to incoming and outgoing transfers, ordinary and instant.

² In addition, the Client's attention is drawn to any of the fixed fees that banks and financial intermediaries, responsible for sending the transfer to the Client's Qonto account, may charge for the amount of the transfer. Qonto has no control over these fees. For further clarification regarding the economic conditions of incoming Swift transfers, the Client may refer to the FAQ available on the [website](#).

³ In addition, the Client's attention is drawn to any of the fixed fees that banks and financial intermediaries, responsible for sending the transfer to the Client's Qonto account, may charge for the amount of the transfer. Qonto has no control over these fees. For further clarification regarding the economic conditions of incoming Swift transfers, the Client may refer to the FAQ available on the [website](#).

⁴ Only for SWIFT transfers of type SHA and OUR in USD: additional fixed fees of €5 (SHA) and €15 (OUR).

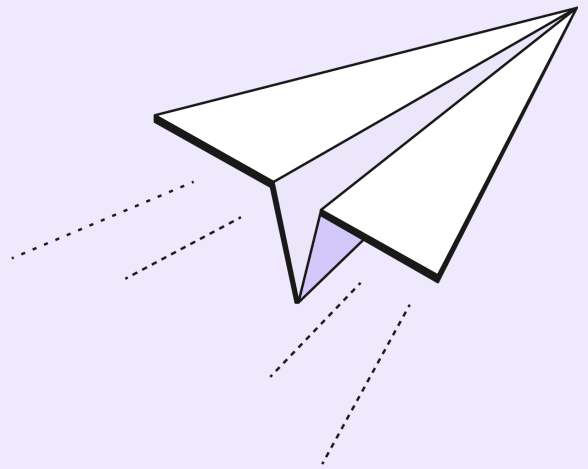
⁵ SWIFT transfer of type SHA and OUR in EUR are charged at a fixed fees of €5 (SHA) and €15 (OUR) with no variable fee.

International transfers (OUT) <i>Make international payments in other available currencies (Non-standard currencies), directly from your Qonto app.</i>	1.8% / transfer <i>(min. €5 excl. VAT)</i>	1.8% / transfer <i>(min. €5 excl. VAT)</i>	1.56% / transfer <i>(min. €5 excl. VAT)</i>
Ancillary Services			
Customer service <i>5-day-a-week support by chat and email</i>	✓	✓	✓ <i>Priority support</i>
Real-time notifications <i>Stay up-to-date with your expenses by receiving real-time notifications on your phone or by email after each transaction.</i>	✓	✓	✓
Accounts Payable			
Automate invoice import & collection <i>Automate the transfer of invoices received via email, import them automatically from Google Drive or Dropbox, or simply drag and drop them directly into Qonto.</i>	✓	✓	✓
Automate payment processing with OCR <i>Process payments faster thanks to Optical Character Recognition (OCR) and the automatic extraction of invoice data (beneficiary, IBAN, amount).</i>	✓	✓	✓
Track your invoice payments <i>See all your payment due dates at a glance, schedule payments, make instant SEPA transfers, and keep your suppliers informed with just one click.</i>	✓	✓	✓
Supplier management <i>Categorize your suppliers and automatically add a specific VAT rate.</i>	-	✓	✓
Accounts Receivable			
Create & customize quotes and invoices <i>Create and send invoices in less than a minute thanks to pre-saved customer data and your catalog of products/services; you can also convert your approved quotes directly into invoices.</i>	✓	✓	✓
Send & track invoices automatically <i>Share your quotes/invoices via email and automate the monitoring of your incoming payments.</i>	✓	✓	✓
Invoice compliance & archiving <i>Simplify your admin with automated invoice numbering; cancel part or all of an invoice thanks to credit notes; automatically sync client invoices with the right transactions as soon as they're paid.</i>	✓	✓	✓
Bookkeeping, Reporting & Personal Expenses Reimbursement			
Digitized receipts <i>Upload your receipts to the app; we'll match them automatically to the right transactions so they're digitized & legally compliant.</i>	Digitized	Digitized & Certified	Digitized & Certified

Receipts forward <i>Forward your receipts to Qonto by email and we'll match them automatically to the right transactions.</i>	✓	✓	✓
Custom labels <i>Automate your accounting by adding labels to your transactions (such as client code, country, team names, projects).</i>	✓	✓	✓
Dashboard <i>Precise cash flow insights thanks to indicator charts and real-time inflow/outflow tracking. Access customizable filters with the advanced dashboard.</i>	✓	✓ Advanced	✓ Advanced
API integrations <i>Connect Qonto to your favorite tools and software to automate repetitive manual tasks.</i>	50+	80+	80+
External account syncing <i>Safely sync your bank accounts & payment services to pilot all your finances without leaving Qonto.</i>	✓	✓	✓
Personal Reimbursement <i>Pay yourself back for out-of-pocket expenses and automatically match receipts for easy bookkeeping.</i>	-	✓	✓
Missing receipt reminder <i>Send manual and/or bulk reminders.</i>	-	✓	✓
Collaboration			
Admin user access <i>Delegate tasks by giving your team members account access.</i>	1 incl. +€10/ month per additional user	1 incl. +€10/ month per additional user	1 incl. +€10/ month per additional user
Accountant user access <i>Simplify your accounting by granting dedicated read-only access to your accountant.</i>	-	✓ Unlimited users	✓ Unlimited users

Team Plans

(Offers for SMEs, Teams and Associations)



	Essential	Business	Enterprise
Business Account and Payment Services			
Annual fee <i>(Monthly equivalent)</i>	€49 / month <i>(excl. VAT)</i>	€99 / month <i>(excl. VAT)</i>	€199 / month <i>(excl. VAT)</i>
Monthly fee	€59 / month <i>(excl. VAT)</i>	€119 / month <i>(excl. VAT)</i>	€249 / month <i>(excl. VAT)</i>
Accounts <i>Create sub-accounts, each with their own local IBANS, to separate your budgets, taxes, and activities.</i>	1 account & 4 sub-accounts	1 account & 9 sub-accounts	1 account & 24 sub-accounts
Physical cards (One) <i>Customize your business Cards in real time: One Card (included in your plan), Plus Card or Metal X Card.</i>	2 cards	10 cards	30 cards
Virtual cards <i>Online payments with virtual cards.</i>	50 <i>€1/month per additional card</i>	50 <i>€1/month per additional card</i>	50 <i>€1/month per additional card</i>
SEPA transfers ⁶ & direct debits <i>Manage transfers & direct debits in the Qonto app. Transactions beyond those included in the plans will be billed per transfer. Collect one-off and recurring direct debits directly in Qonto.</i>	150/month <i>€0.25 per additional transaction</i>	500/month <i>€0.25 per additional transaction</i>	1000/month <i>€0.10 per additional transaction</i>
Bulk transfers <i>Combine volume transfers to make more payments at once.</i>	✓	✓	✓
Incoming SWIFT transfers ⁷ <i>Receive international payments directly into your Qonto account.</i>	€5 / transfer received <i>(excl. VAT)</i>	€5 / transfer received <i>(excl. VAT)</i>	€5 / transfer received <i>(excl. VAT)</i>
International transfers (OUT) <i>Make international payments directly from your Qonto app in Standard currencies: USD⁸ - GBP - CHF - EUR⁹.</i>	0.56% / transfer <i>(min. €5 excl. VAT)</i>	0.56% / transfer <i>(min. €5 excl. VAT)</i>	0.56% / transfer <i>(min. €5 excl. VAT)</i>
International transfers (OUT) <i>Make international payments in other available currencies (Non-standard currencies), directly from your Qonto app.</i>	1.56% / transfer <i>(min. €5 excl. VAT)</i>	1.56% / transfer <i>(min. €5 excl. VAT)</i>	1.56% / transfer <i>(min. €5 excl. VAT)</i>
Ancillary Services			

⁶ Applies to incoming and outgoing transfers, ordinary and instant.

⁷ In addition, the Client's attention is drawn to any of the fixed fees that banks and financial intermediaries, responsible for sending the transfer to the Client's Qonto account, may charge for the amount of the transfer. Qonto has no control over these fees. For further clarification regarding the economic conditions of incoming Swift transfers, the Client may refer to the FAQ available on the [website](#).

⁸ Only for SWIFT transfers of type SHA and OUR in USD: additional fixed fees of €5 (SHA) and €15 (OUR).

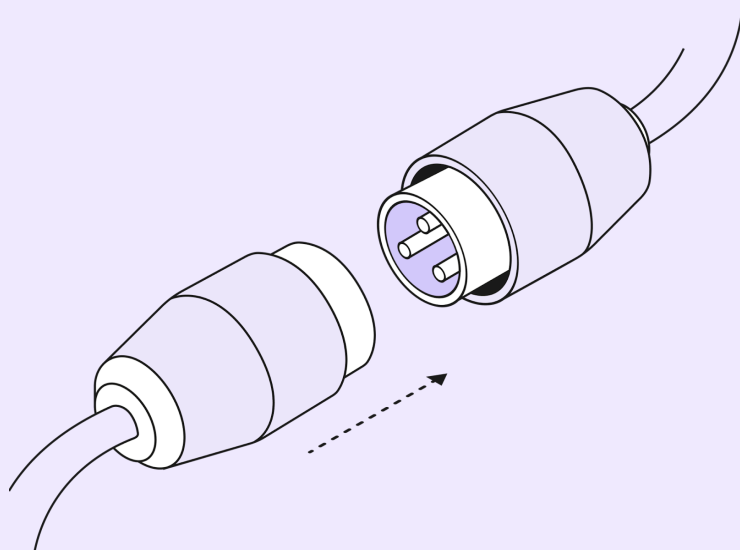
⁹ SWIFT transfer of type SHA and OUR in EUR are charged at a fixed fees of €5 (SHA) or €15 (OUR) with no variable fee.

Customer service <i>5-day-a-week support by chat and email</i>	✓	✓ Priority Support	✓ Priority Support
Real-time notifications <i>Stay up-to-date with your expenses by receiving real-time notifications on your phone or by email after each transaction.</i>	✓	✓	✓
Accounts Payable			
Automate invoice import & collection <i>Automate the transfer of invoices received via email, import them automatically from Google Drive or Dropbox, or simply drag and drop them directly into Qonto.</i>	✓	✓	✓
Automate payment processing with OCR <i>Process payments faster thanks to Optical Character Recognition (OCR) and the automatic extraction of invoice data (beneficiary, IBAN, amount).</i>	✓	✓	✓
Track your invoice payments <i>See all your payment due dates at a glance, schedule payments, make instant SEPA transfers, and keep your suppliers informed with just one click.</i>	✓	✓	✓
Supplier management <i>Categorize your suppliers and automatically add a specific VAT rate.</i>	✓	✓	✓
Accounts Receivable			
Create & customize quotes and invoices <i>Create and send invoices in less than a minute thanks to pre-saved customer data and your catalog of products/services; you can also convert your approved quotes directly into invoices.</i>	✓	✓	✓
Send & track invoices automatically <i>Share your quotes/invoices via email and automate the monitoring of your incoming payments.</i>	✓	✓	✓
Invoice compliance & archiving <i>Simplify your admin with automated invoice numbering; cancel part or all of an invoice thanks to credit notes; automatically sync client invoices with the right transactions as soon as they're paid.</i>	✓	✓	✓
Expense & Spend Management			
Customised card limits <i>Set daily or amount limits for team spending.</i>	✓	✓	✓
Card & transfer request approval <i>Approve your team's card and transfer requests in one click.</i>	-	✓	✓

<p>Expense reports <i>Keep all your expense requests in one platform, track and approve in a click for faster reimbursements.</i></p>	<p>✓ (For Admin and Owner only)</p>	<p>✓</p>	<p>✓</p>
<p>Bookkeeping, Reporting & Personal Expenses Reimbursement</p>			
<p>Personal reimbursement <i>Pay yourself back for out-of-pocket expenses and automatically match receipts to transactions for easy bookkeeping</i></p>	<p>✓</p>	<p>✓</p>	<p>✓</p>
<p>Digitized & Certified receipts <i>Upload your receipts to the app; we'll match them automatically to the right transactions so they're digitized & legally compliant.</i></p>	<p>✓</p>	<p>✓</p>	<p>✓</p>
<p>Receipts forward <i>Forward your receipts to Qonto by email and we'll match them automatically to the right transactions.</i></p>	<p>✓</p>	<p>✓</p>	<p>✓</p>
<p>Custom labels <i>Automate your accounting by adding labels to your transactions (such as client code, country, team names, projects etc.).</i></p>	<p>✓</p>	<p>✓</p>	<p>✓</p>
<p>Dashboard <i>Precise cash flow insights thanks to indicator charts and real-time inflow/outflow tracking. Access customizable filters with the advanced dashboard.</i></p>	<p>✓</p>	<p>✓ Advanced</p>	<p>✓ Advanced</p>
<p>API integrations <i>Connect Qonto to your favorite tools and software to automate repetitive manual tasks.</i></p>	<p>80+</p>	<p>80+</p>	<p>80+</p>
<p>External account syncing <i>Safely sync your bank accounts & payment services to pilot all your finances without leaving Qonto.</i></p>	<p>✓</p>	<p>✓</p>	<p>✓</p>
<p>Missing receipt reminder <i>Send Manual and/or bulk reminders.</i></p>	<p>✓</p>	<p>✓</p>	<p>✓</p>
<p>Collaboration</p>			
<p>Admin user access <i>Delegate tasks by giving your team members account access.</i></p>	<p>✓ Unlimited users</p>	<p>✓ Unlimited users</p>	<p>✓ Unlimited users</p>
<p>Accountant user access <i>Simplify your accounting by granting dedicated read-only access to your accountant.</i></p>	<p>✓ Unlimited users</p>	<p>✓ Unlimited users</p>	<p>✓ Unlimited users</p>
<p>Manager Role with creation permissions (Basic) <i>Customize managers' permissions for spending independence that you control. Basic permissions allow the manager to invite team members, create new transfers or cards.</i></p>	<p>-</p>	<p>✓ Unlimited users</p>	<p>✓ Unlimited users</p>

<p>Employee user access <i>Delegate tasks by giving your team members account access.</i></p>	<p>✓ <i>Unlimited users</i></p>	<p>✓ <i>Unlimited users</i></p>	<p>✓ <i>Unlimited users</i></p>
--	-------------------------------------	-------------------------------------	-------------------------------------

Add-ons
(Available for purchase)

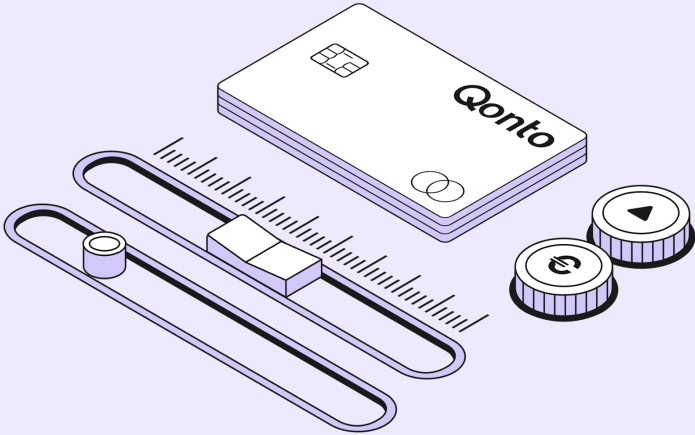


	Add-on Accounts Receivable	Add-on Accounts Payable	Add-on Expense & Spend Management
Annual fee <i>(Monthly equivalent)</i>	€35 / month <i>(excl. VAT)</i>	€59 / month <i>(excl. VAT)</i>	€69 / month <i>(excl. VAT)</i>
Monthly fee	€45 / month <i>(excl. VAT)</i>	€69 / month <i>(excl. VAT)</i>	€89 / month <i>(excl. VAT)</i>
Add-on availability	All plans	Team plans	Team plans
	<p>Recurring invoices for subscription collection</p> <p><i>Automate the process of sending invoices regularly to a customer to collect their payments.</i></p>	<p>Unlimited invoice collection from your financial tools</p> <p><i>Import your invoice documents and integrate with suppliers' portals.</i></p>	<p>Advanced cards settings</p> <p><i>Set limits on days and spending categories to your cards.</i></p>
	<p>Unpaid invoice reminders</p> <p><i>Easily send reminders and receive real-time notifications for every payment.</i></p>	<p>Automated payment initiation through ERP integrations</p> <p><i>Automate transfer creation through integrations with your ERP software.</i></p>	<p>Unlimited instant cards¹⁰</p> <p><i>Ideal for one-off, non-recurrent purchases, create temporary virtual cards in a few clicks.</i></p>
	<p>Continuous sync of clients and invoices with your existing financial tools</p> <p><i>CRM, invoicing tool & ERP</i></p>	<p>Sync with procurement tools</p> <p><i>Synchronize purchase orders and invoices with procurement software.</i></p>	<p>Unlimited¹¹ virtual cards & ad cards</p> <p><i>Make online payments with virtual cards.</i></p>
		<p>Manager role approval permissions (advanced)</p> <p><i>Customize Managers' permissions for spending independence that you control. Advanced permissions allow managers to approve payment requests (cards and transfers).</i></p>	<p>Manager role approval permissions (advanced)</p> <p><i>Customize Managers' permissions for spending independence that you control. Advanced permissions allow the manager to approve payment requests (cards and transfers).</i></p>
		<p>Custom rules for approval workflows</p> <p><i>Set multi-approval workflows when spend requests reach a defined threshold.</i></p>	<p>Custom rules for approval workflows</p> <p><i>Set multi-approval workflows when spend requests reach a defined threshold.</i></p>
		<p>Budget management for teams</p> <p><i>Enable real-time budget tracking, centralized expense management, and delegation of financial oversight to optimize and control business spending.</i></p>	<p>Budget management for teams</p> <p><i>Enable real-time budget tracking, centralized expense management, and delegation of financial oversight to optimize and control business spending.</i></p>

¹⁰ A fair usage policy applies.

¹¹ A fair usage policy applies.

Payment Cards
(Available for purchase)



	One	Plus	X (Metal)
Monthly Rate <i>For Cards not included in your Plan</i>	€5 <i>(excl. VAT)</i>	€8 ¹² <i>(excl. VAT)</i>	€20 <i>(excl. VAT)</i>
Limits and Extras			
Card Payment limits <i>Per calendar month</i>	€20,000 / card	€40,000 / card	€200,000 / card
ATM withdrawal limits <i>Per calendar month</i>	€1,000 / card	€2,000 / card	€3,000 / card
ATM withdrawals included	0 <i>€2 / per withdrawal</i>	5/month <i>€2 / per additional withdrawal</i>	Unlimited
Card Replacement cost ¹³ <i>In case of replacement of a lost, stolen, or fraudulently used card.</i>	€6 <i>(excl. VAT)</i>	€6 <i>(excl. VAT)</i>	€6 <i>(excl. VAT)</i>
Extra EU exchange commission	2% / transaction	1% / transaction	No commission
Airport lounge access	-	-	✓
Insurance	Fraudulent Payments	Advanced Coverage	Premium Coverage
Travel Insurance			
Trip cancellation	-	-	€5,000 per year
Flight and train delays	-	€800 per incident	€800 per incident
Luggage & Personal belongings	-	€1,000 per incident	€1,000 per incident
Rented vehicle damage cover	-	-	€5,000 per year
Travel medical expenses			
Medical expenses abroad	-	€155,000 per year, per beneficiary, and per incident	€155,000 per year, per beneficiary, and per incident

¹² Applicable to cards issued after November 13, 2023. Cards issued before that date are subject to the price of €6/month per card until renewal.

¹³ These fees will not be charged if a defective card is to be replaced or if the card is lost during shipment.

Assistance and repatriation	-	✓	✓
Visit a close relative in case of hospitalization	-	€3,250 per hospitalization	€3,250 per hospitalization
Online Fraud & Purchase Coverage			
Purchase coverage <i>Damaged or stolen items</i>	-	€2,500 per year or €1,250 per purchase	€2,500 per year or €1,250 per purchase
Smartphone purchase coverage	-	-	✓
Fraudulent use of card	€1,500 per year	€3,000 per year	€3,000 per year
Phishing <i>fraudulent site</i>	Not included	€1,000 per year	€1,000 per year

Qonto